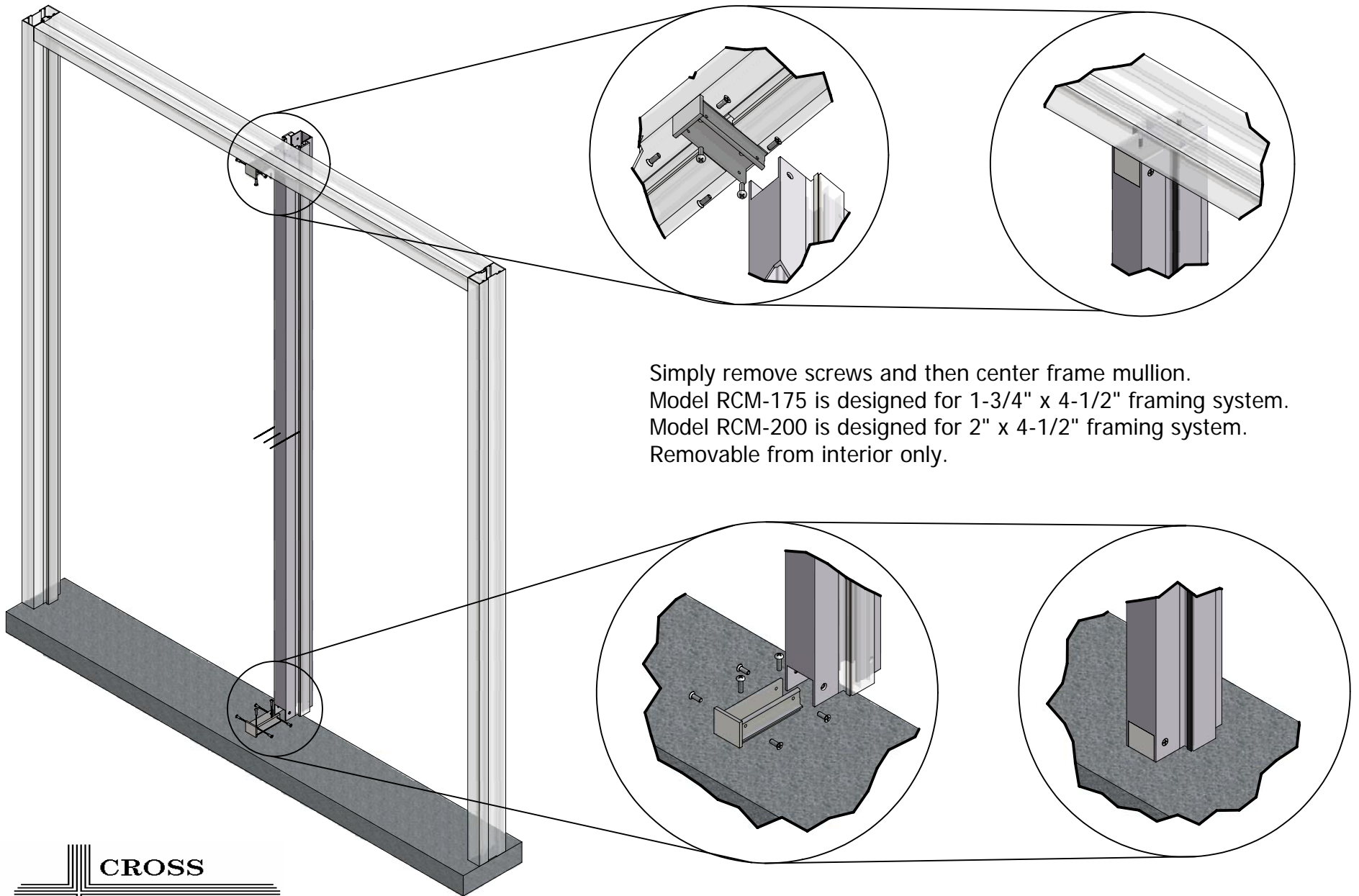


REMOVABLE FRAME CENTER MULLION

Models: RCM-175 & RCM-200



Simply remove screws and then center frame mullion.
Model RCM-175 is designed for 1-3/4" x 4-1/2" framing system.
Model RCM-200 is designed for 2" x 4-1/2" framing system.
Removable from interior only.